

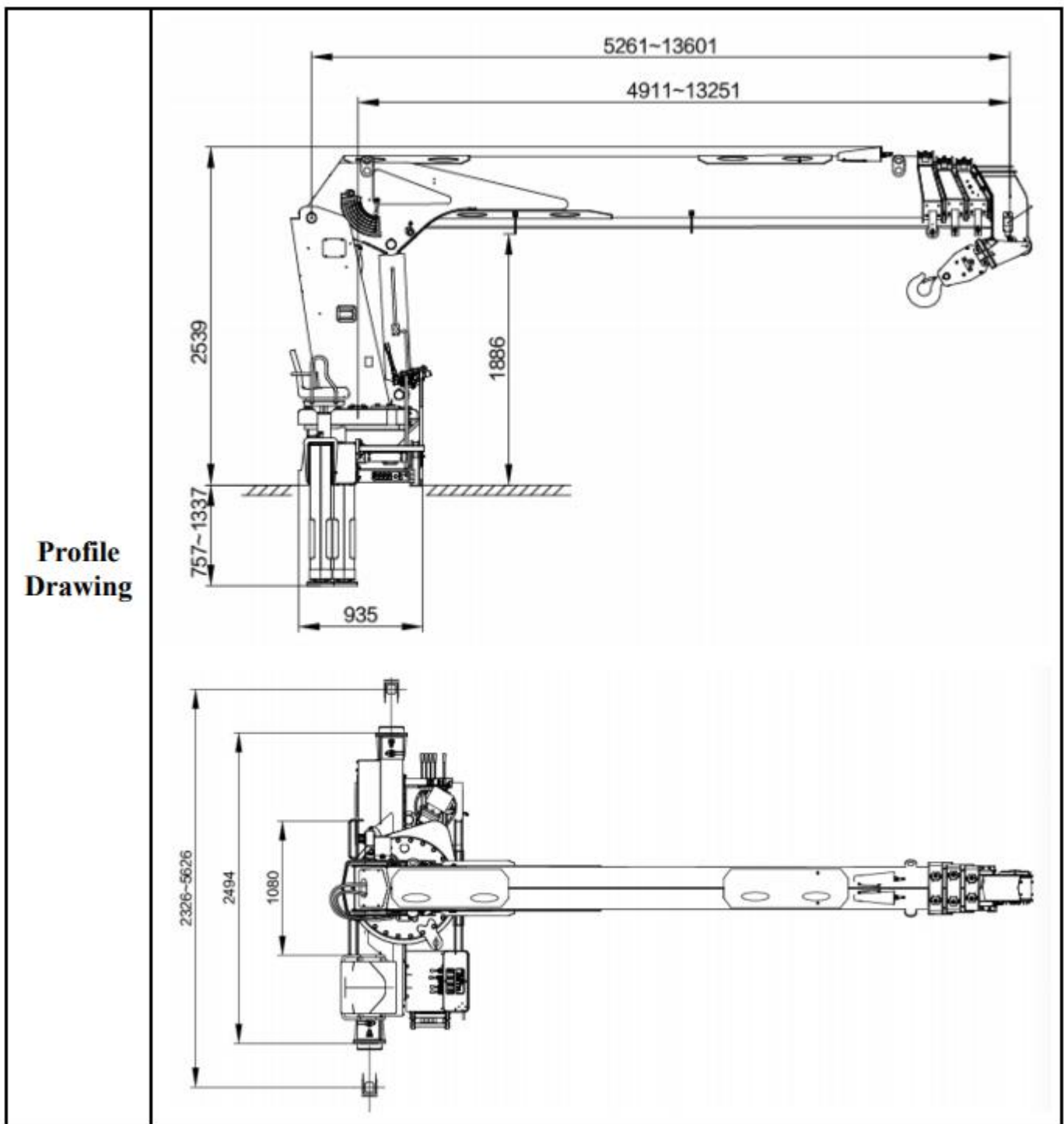
XCMG TRUCK MOUNTED CRANE (8 TONS)



Type	8 Tons
Crane Model	MSQS200TL-4
Max Lifting Moment	200 kN.m
Max Lifting Capacity	8000 kg at 2.5 m
Max Hook Height	15.2 m
Max Working Radius	13.3 m lift 900 kg
Boom Length	Min 5.26 m ~ Max 13.6 m
Boom Type / Sections	Hexagon / 4
Elevation Range	1° to 75°
Slewing Angle	360° Continuous
Outriggers	Hydraulic Horizontal and Vertical Extension, Rectangle Tube Protected
Outriggers Span	5626 mm
Operation	Top Seat
Max Pressure of Hydraulic System	26 Mpa
Rated Flow of Hydraulic System	55+40 L/min (twin pump)
Oil Tank Capacity	200 L
Recommended Power	42 kw
Installation Space	1200 mm
Crane Weight	3862 kg
Suitable Trucks	Medium Duty, 6 Wheels, GVW: 16 Tons, should be equipped with additional outriggers

Loading chart

Rated load(kg)		Working radius(m)													
		2.5	3.0	3.5	4.0	5.0	6.0	7.0	8.0	9.0	10	11	12	13	
Boom length(m)	5.26	8000	7500	6400	5400	4500 (4.9m)									
	8.04	6000	5500	4750	4150	3320	2700	2370	2000 (7.7m)						
	11.0	5200	4520	3870	3390	2700	2260	1950	1650	1500	1350	1200 (10.6m)			
	13.6		3400	3000	2660	2150	1850	1560	1400	1260	1150	1000	950	900 (13.3m)	



Loading
Diagram

