

# SR08MA

**SHANTUI**  
VALUE THAT WORKS

ROLLER  
SERIES

ENGINE MODEL	XINCHAI A498BG
GROSS POWER	42kW @ 2200rpm
OPERATING WEIGHT	8000kg

LET'S MAKE  
CONSTRUCTION EASIER



# SR08MA TECHNICAL PARAMETERS

## ROLLER SERIES

ENGINE	SR08MA	SR08MPA
--------	--------	---------

Model	Xinchai A498BG	
Number of Cylinders	6	
Type	4-cycle, Direct Injection, Water-cooled	
Aspiration	Turbocharged	
Bore x Stroke	98*105mm	
Displacement	3.168L	
Gross Power	42kW @ 2200rpm	
Max. Torque	205N.m @ 1600-1800rpm	
Rated Fuel Consumption	240g/kW.h	
Air Cleaner	2-stage, Dry Type	

POWER TRAIN	SR08MA	SR08MPA
-------------	--------	---------

Type	Mechanical Type	
Clutch	Mechanical Control	
Transmission	Mechanical Control	
Axle	Dry Type	
Tire	12.00-20-18PR	
Max. Grade Ability	25%	
Forward,1-5	2.2km/h, 4.2km/h, 7.5km/h, 12.5km/h, 15.5km/h	
Reverse,I	2.5km/h	

STEERING	SR08MA	SR08MPA
----------	--------	---------

Type	Hydraulic Power, Articulated Steering	
Steering Angle	±35°	
Oscillating Angle	±10°	
Min. Turning Radius	5500mm	

BRAKES	SR08MA	SR08MPA
--------	--------	---------

Service Brake	Disc Type	
Parking Brake	Drum Type	

DRUM	SR08MA	SR08MPA
------	--------	---------

Width	1650mm	1650mm
Diameter	1200mm	1362mm
Drum Shell Thickness	22mm	22mm
Number of Pad Feet	-	135
Height of Pad Feet	-	75mm

VIBRATION	SR08MA	SR08MPA
-----------	--------	---------

Type	Hydrostatic	
Vibration Pump	Gear Pump	
Vibration Motor	Gear Motor	
Frequency, Low	40Hz	40Hz
Frequency, High	40Hz	40Hz
Amplitude, High	0.85mm	0.65mm
Amplitude, Low	0.85mm	0.65mm
Centrifugal Force,Maximum	105kN	105kN
Centrifugal Force,Minimum	105kN	105kN

CAPACITIES	SR08MA	SR08MPA
------------	--------	---------

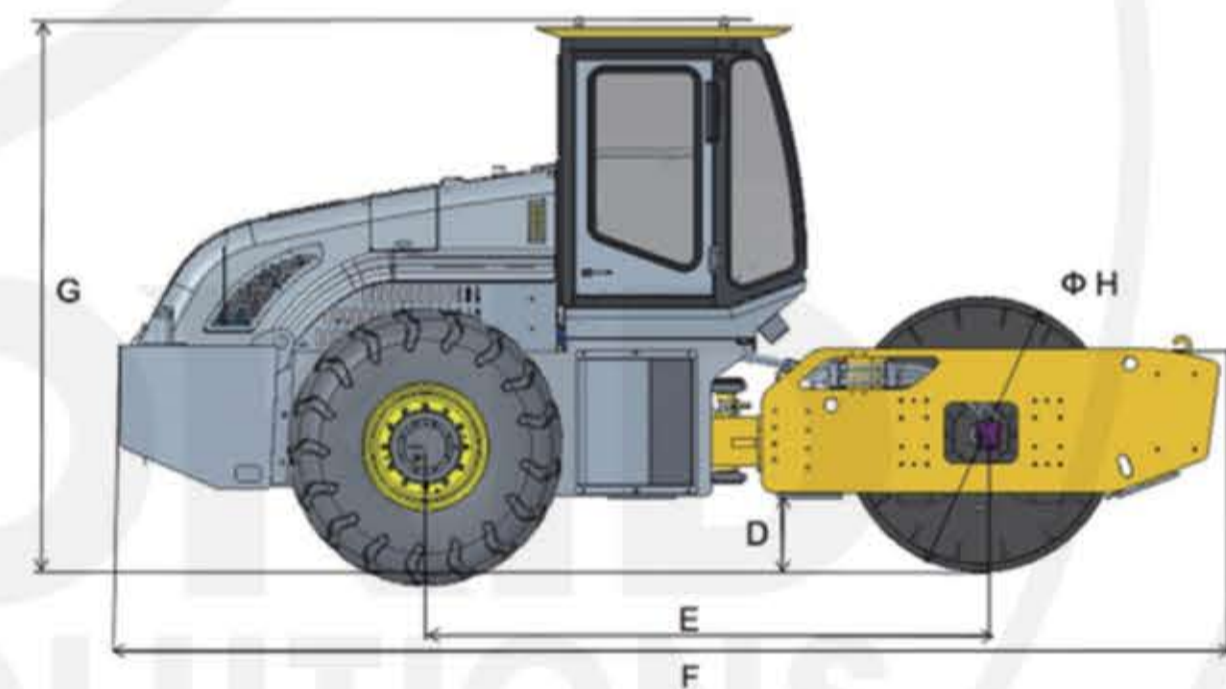
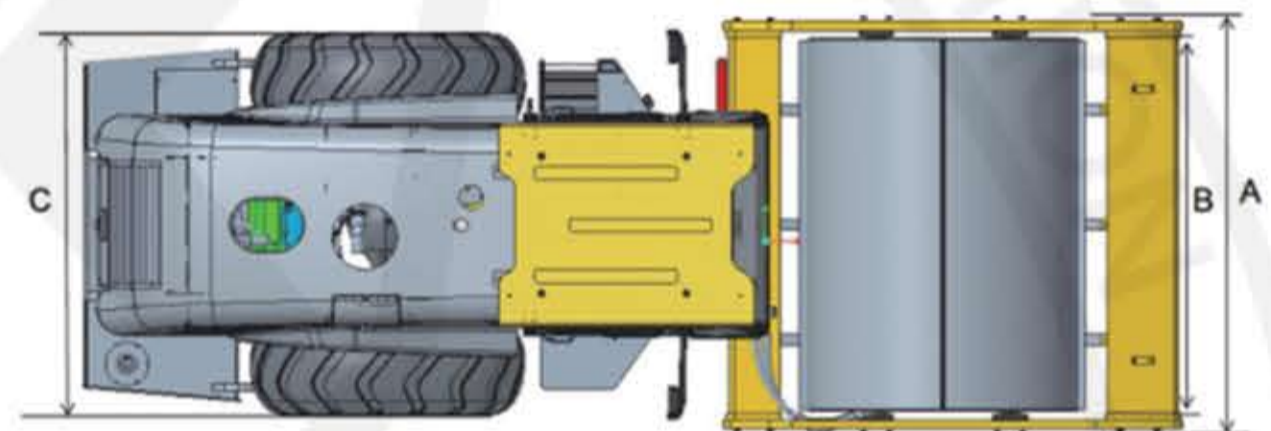
Fuel Tank	145L	
Hydraulic Oil Tank	120L	
Engine Coolant	11L	
Engine Crank Case	6.5L	

ELECTRICAL SYSTEM	SR08MA	SR08MPA
-------------------	--------	---------

Battery	12V	
Alternator	14V	
Starter Motor	12V	

WEIGHT	SR08MA	SR08MPA
--------	--------	---------

Operating Weight	8000kg	8600kg
Axle Load, Drum	3940kg	4540kg
Axle Load, Wheel	4060kg	4060kg
Static Linear Load(at Drum)	234N/cm	270N/cm



DIMENSIONS	SR08MA	SR08MPA
------------	--------	---------

A	1830mm	1830mm
B	1650mm	1650mm
C	1620mm	1620mm
D	300mm	320mm
E	2720mm	2720mm
F	5210mm	5210mm
G	2570mm	2600mm
H	1200mm	1362mm